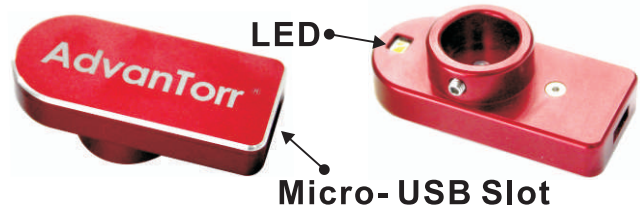
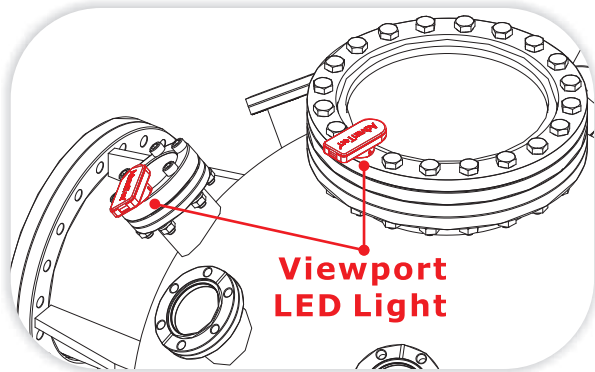


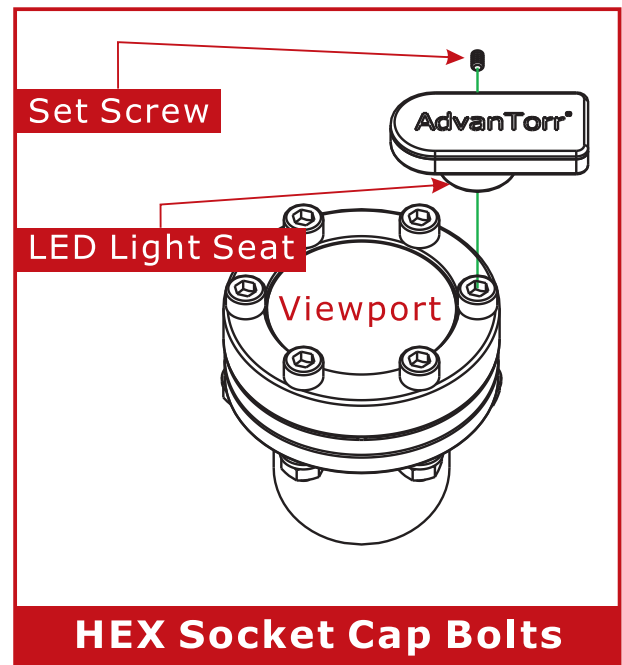
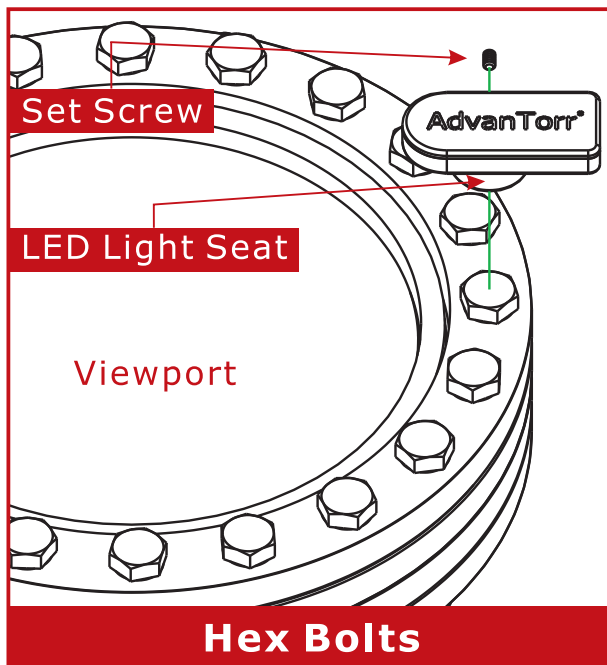
Viewport LED Light

Viewport LED Light is designed for quick installation.
No software and complicated preparation for operation.
Just need one Micro-USB cable to operate.



Features:

- Lightweight design with aluminum alloy body.
- Long life cycle.
- Easy installation



Product Specification:

Description	Specification
Input Power	5V +/-5%
Current of LED light	150mA +/-25%
Temperature of LED light	5,000K (4,745~5,310K)
Brightness of LED light	50~83 lm
Operating Temperature	-40~85°C
Storage Temperature	-40~100°C
Life Cycle	6,000 hrs (keep in below 55°C)